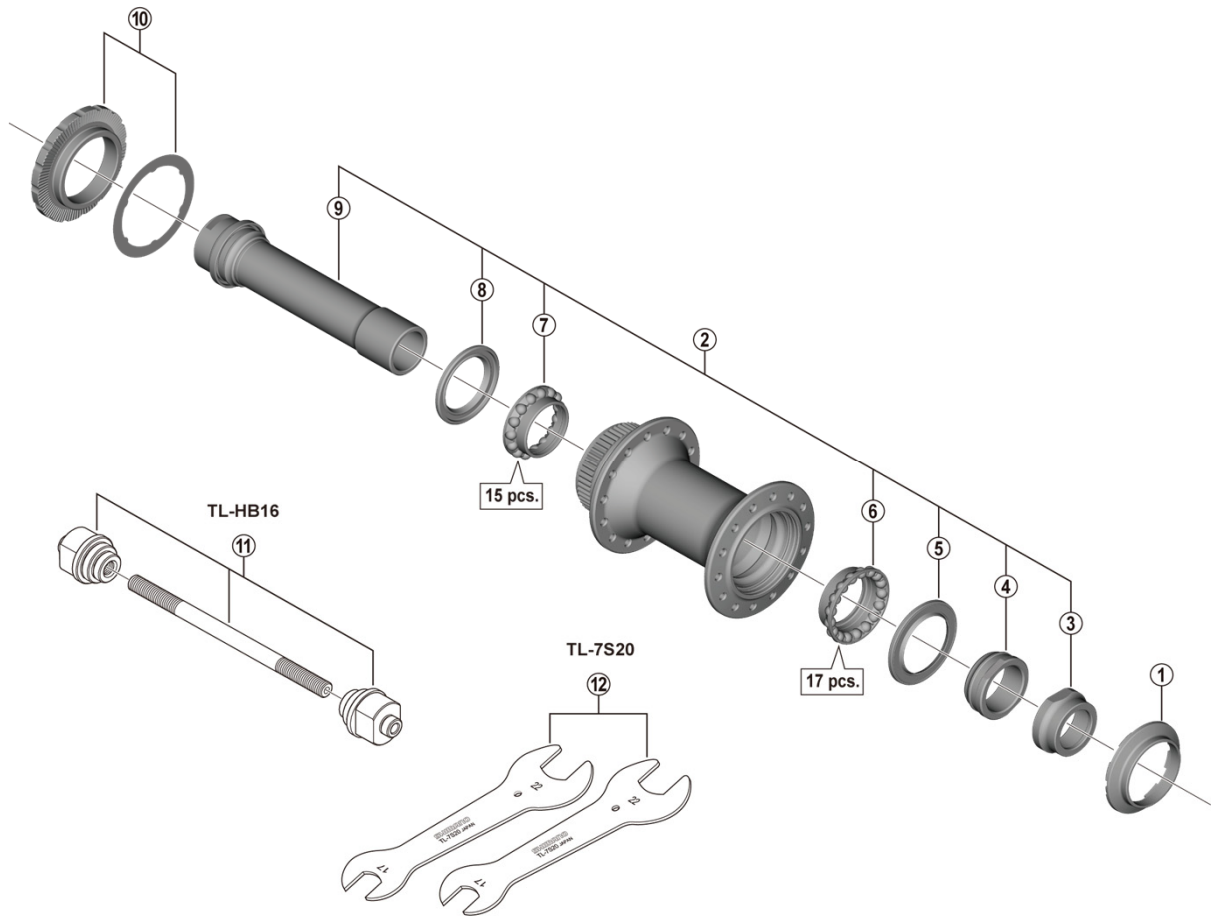


XTR Front Hub (For Disc Brake)

HB-M9110

HB-M9110-B



• Over Lock Nut Dimension: 100 mm (3-15/16") for HB-M9110 / 110 mm (4-11/32") for HB-M9110-B

ITEM NO.	SHIMANO CODE NO.	DESCRIPTION	INTERCHANGEABILITY		
1	Y27X17000	Cap			
2	Y2CW98010	Complete Hub Axle for HB-M9110			
	Y2CX98010	Complete Hub Axle for HB-M9110-B			
3	Y2CX06000	Right Hand Lock Nut			
4	Y27X11000	Right Hand Cone (M19)			
5	Y27X15000	Right Hand Seal Ring			
6	Y2CW98020	Right Hand Ball Retainer (5/32" x 17)			
7	Y2CW98030	Left Hand Ball Retainer (5/32" x 15)			
8	Y27X14000	Left Hand Seal Ring			
9	Y2CW98040	Hub Axle Unit for HB-M9110			
	Y2CX98020	Hub Axle Unit for HB-M9110-B			
10	Y2CW98050	Lock Ring & Washer			
11	Y20W98020	TL-HB16 Hub Setting Tool			
12	Y13098900	TL-7S20 Hub Spanner (17 mm x 22 mm) 2 pcs.			

A: Same parts.

B: Parts are usable, but differ in materials, appearance, finish, size, etc.

Absence of mark indicates non-interchangeability.

Specifications are subject to change without notice.

Jan.-2019-4384

© Shimano Inc. ITP

SHIMANO