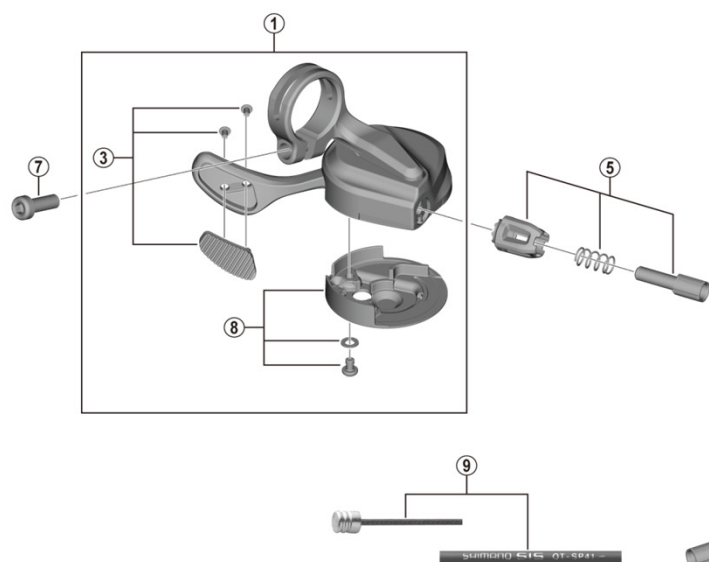
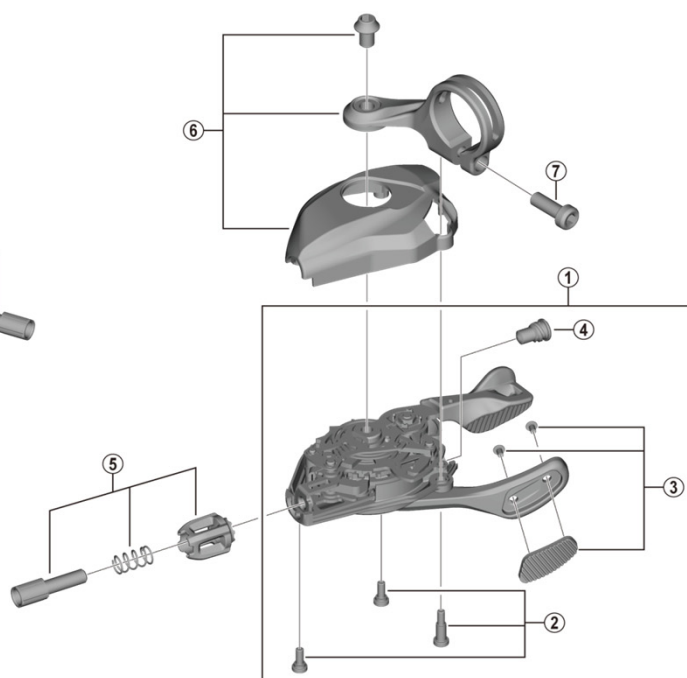


# XTR Shifting Lever SL-M9100 (2x12-speed)

For Left Hand



For Right Hand



ITEM NO.	SHIMANO CODE NO.	DESCRIPTION
1	Y0FA98010	R.H. Shifting Lever Unit
	Y0FB98010	L.H. Shifting Lever Unit
2	Y0FA98020	R.H. Base Cover Fixing Screw Unit
3	Y0FA98030	R.H. Main Lever Pad & Fixing Screws
	Y0FB98020	L.H. Main Lever Pad & Fixing Screws
4	Y0FA05000	R.H. Inner Hole Cap
5	Y06N98040	Cable Adjusting Bolt Unit
6	Y0FA98040	R.H. Base Cover Unit
7	Y6T842100	R.H. Clamp Bolt (M5 x 13.5)
	Y6T842000	L.H. Clamp Bolt (M5 x 13.5)
* 8	Y0FB98030	L.H. Lever Cap Unit
9	Y01V98110	OT-SP41 Polymer coated shift cable sets (Black) <ul style="list-style-type: none"> <li>• Sealed outer caps, plastic (2 pcs.)</li> <li>• Sealed outer caps, aluminum (2 pcs.)</li> <li>• Sealed outer caps nose (7 pcs.)</li> <li>• Rubber shields (7 pcs.)</li> <li>• Inner end caps (2 pcs.)</li> <li>• Cover with tongue for front / rear derailleur (2 pcs.)</li> </ul>
	Y01V98111	OT-SP41 Polymer coated shift cable sets (White) <ul style="list-style-type: none"> <li>• Sealed outer caps, plastic (2 pcs.)</li> <li>• Sealed outer caps, aluminum (2 pcs.)</li> <li>• Sealed outer caps nose (7 pcs.)</li> <li>• Rubber shields (7 pcs.)</li> <li>• Inner end caps (2 pcs.)</li> <li>• Cover with tongue for front / rear derailleur (2 pcs.)</li> </ul>

Jan.-2019-4391A  
© Shimano Inc. I

Specifications are subject to change without notice.

# SHIMANO