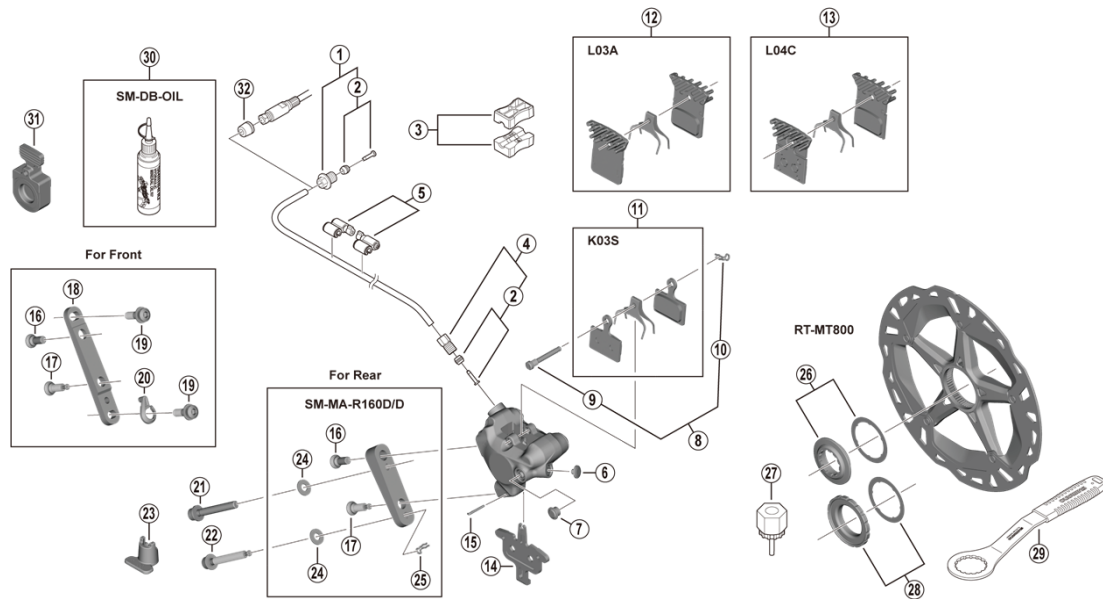


ULTEGRA Disc Brake
BR-R8170 Brake Caliper
RT-MT800 Disc Rotor

SM-BH90-JK-SSR Brake Hose
SM-BH90-JK-SS Brake Hose



BR-R8070

ITEM NO.	SHIMANO CODE NO.	DESCRIPTION	INTERCHANGEABILITY
1	Y8RD98010	Flange flare nut unit (M9/black) for ST-R8170	A
	Y8RD98020	Flare nut unit (M8/silver) for ST-R9180	A
2	Y8JA98020	Olive and connector insert	A
3	Y8H198030	TL-BH61 Shimano original tool (2 pcs.)	A
4	Y8JA98010	Flare nut unit (M8/black)	A
5	Y83098040	SM-HANG Hose supporter A and B	A
6	Y2J706000	Bleed screw cap	
7	Y2HW10000	Bleed boss cap	
8	Y2GM98020	Pad axle and snap retainer	B
9	Y8EB12010	Pad axle	B
10	Y8J716000	Snap retainer	A
11	Y8Y898010	K03S Resin pad and spring (pair)	A
12	Y8PU98040	L03A Resin pad with fin and spring (pair)	A
13	Y8N398040	L04C Metal pad with fin and spring (pair)	A
14	Y8N218000	Pad spacer	A
15	Y8N207000	Screw fixing pin	A
16	Y2HW06010	Caliper fixing screw B2	A
17	Y8N206000	Caliper fixing screw B	A
18	Y8N230000	Front caliper mount bracket	A
19	Y8N204000	Caliper fixing screw A	A
20	Y8N205000	Snap ring	A
21	Y2J708000	Caliper fixing screw C2 for 10 mm rear mount thickness	A
	Y2J708050	Caliper fixing screw C2 for 15 mm rear mount thickness	A
	Y2J708010	Caliper fixing screw C2 for 20 mm rear mount thickness	A
	Y2J708020	Caliper fixing screw C2 for 25 mm rear mount thickness	A
	Y2J708030	Caliper fixing screw C2 for 30 mm rear mount thickness	A
	Y2J708040	Caliper fixing screw C2 for 35 mm rear mount thickness	A
22	Y8N208000	Caliper fixing screw C for 10 mm rear mount thickness	A
	Y8N208050	Caliper fixing screw C for 15 mm rear mount thickness	A
	Y8N208010	Caliper fixing screw C for 20 mm rear mount thickness	A
	Y8N208020	Caliper fixing screw C for 25 mm rear mount thickness	A
	Y8N208030	Caliper fixing screw C for 30 mm rear mount thickness	A
	Y8N208040	Caliper fixing screw C for 35 mm rear mount thickness	A
23	Y2HW12000	Screw length selector	A
24	Y8NU02000	Washer for R160 adapter	A
25	Y8NU03000	Snap retainer	A
26	Y8K198010	Lock ring and washer	
27	Y12009230	TL-LR15 Lock ring removal tool	
28	Y2A598030	Lock ring and washer (external spline type)	
29	Y13098000	TL-FC36 Lock ring removal tool	
30	Y83998020	Mineral oil (100 ml)	A
	Y83998030	Mineral oil (500 ml)	A
31	Y2HW15000	Bleeding spacer	A
32	Y8H802000	Hose cover for easy hose joint system, not used with easy hose joint direct system	A

A: Same parts.

B: Parts are usable, but differ in materials, appearance, finish, size, etc.

Absence of mark indicates non-interchangeability.

Specifications are subject to change without notice.

Sep.-2021-4860

© Shimano Inc. I

SHIMANO