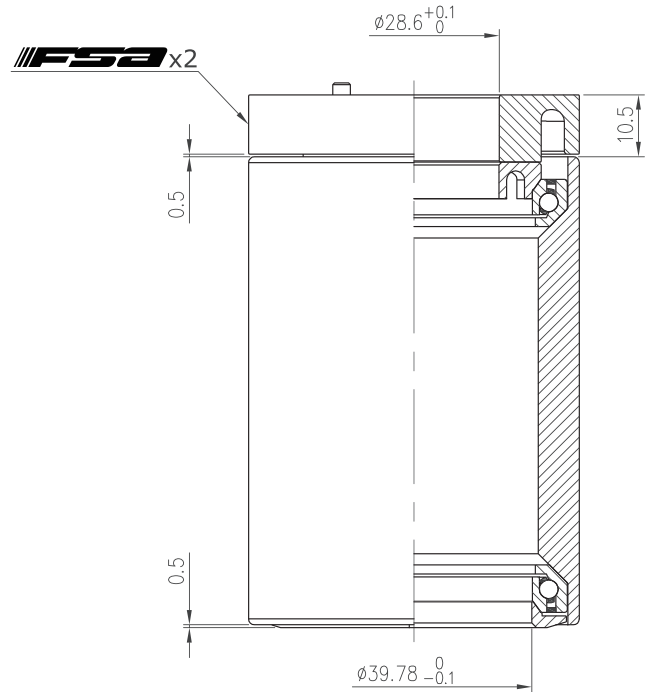
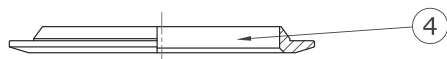
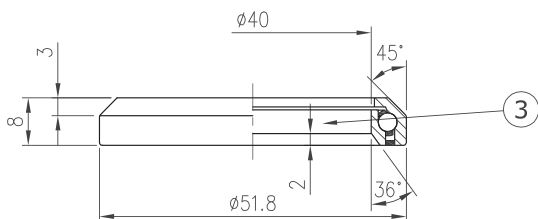
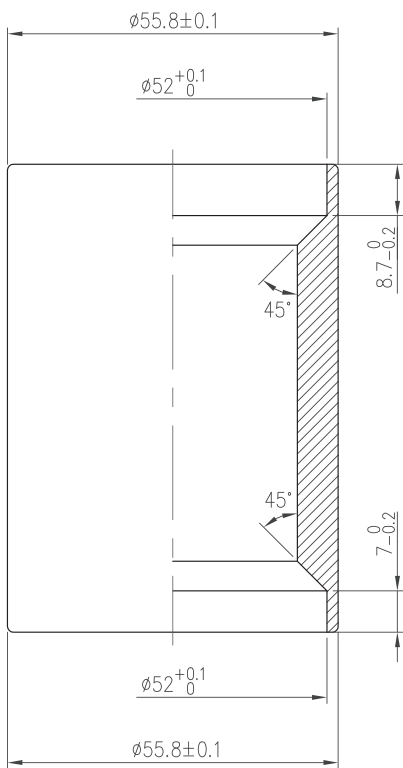
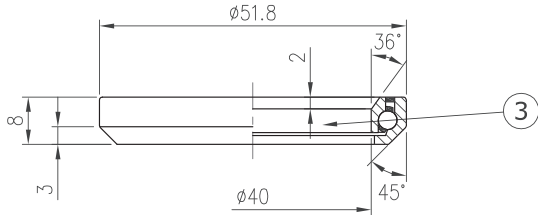
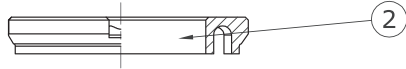
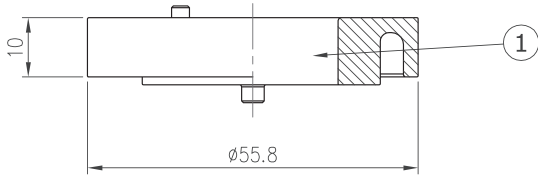


# Internal Headset (CC)

## NO.55R 1.5"/CR/STD

1-1/8"/ 1.5", 36°/ 45° ACB



Stack Height 10.5+0.5=11



Weight - 92 grams

- For 55.8mm OD head tube
- For 1-1/8" to 1.5" tapered fork
- CR top cover
- Angular Contact Bearing (Black seal)

No	Item No	Material	Qty
④	H6126{NO.42-6}	Alloy	1PCS
③	MR127{073E-RS}	Chrome steel	2SETS
②	H2474{NO.55R 1.5"/CR}	Alloy	1PCS
①	H2473{NO.55R 1.5"/CR/STD}	Nylon	1PCS

